

4094 Vcc -> +10V
 4094 Gnd -> ground

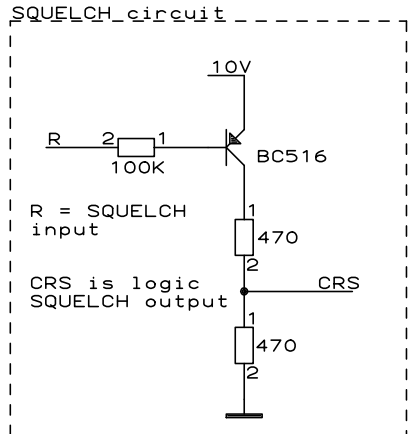
R11,R12,R13 are already on the PCB
 The 3 pullup resistors are extra

Remove capacitors C10,C11,C12,C13 and C14 on synth. board

Replace C4,C5,C6 on T813 mainboard (1.8nF) with 180pF capacitors

- Pinnnumbers from synthesizer chip
- p5
 - p4
 - p3
 - p2
 - p28
 - p27
 - p26
 - p25
- To J02, S187
- p24
 - p23
 - p22
 - p21
 - p20
 - p19
 - p18
 - p10
- To J02, S187

Cut the traces to the PROMS and place the 4094's directly in the PROM sockets
 Vcc for 4094's is +10V



Peter, PE1DTN		
Title TELETRON Synthesizer modification		
Size A	Document Number	REV 1.1
Date: February 3, 1997		Sheet 1 of 1

